



DATA SHEET

GP 500 - 1 


GP 500 - 2

Pressure generator


Designed for professionals of metrology, the pressure generator allows to adjust and calibrate measuring instruments in laboratory or on-site.

The GP 500 has 2 versions:

- **GP 500-1:** from -2500 to +2500 Pa
- **GP 500-2:** from -10 000 to 10 000 Pa

 **High accuracy**

 **Leak test**


 **2 OPERATING MODES**

- Measurement
- Generation

 **Automatic autozero**

 **Modifiable table**

- Specific connectors
- Larged backlighted display
- Configuration software
- 20 programs with adjustable generations

 **Pressure generation**

 **Transportable standard**

- Solid transport case
- Aluminium housing with adjustable carrying handle

Technical specifications in pressure measurement and pressure generation

	Measuring range	Measurement accuracy ⁽¹⁾	Generation range	Generation accuracy ⁽¹⁾	Resolution	Autozero	Units
GP 500-1	-2500 to +2500 Pa	±(0.15% [Reading value] +0.8) Pa	-2500 to -5 Pa and +5 to +2500 Pa	±5 to ±2500 Pa: ±1 Pa	-2500 to -1000 Pa: 1 Pa -1000 to -100 Pa: 0.1 Pa -100 to +100 Pa: 0.01 Pa +100 to +1000 Pa: 0.1 Pa +1000 to 2500 Pa: 1 Pa	Automatic	Pa, daPa, hPa, mmH ₂ O, mmHg, mbar, inWg
GP 500-2	-10 000 to +10 000 Pa	±(0.15% [Reading value] +6) Pa	-10 000 to -50 Pa and +50 to +10 000 Pa	-10 000 to -50 Pa: ±10 Pa +50 to +1000 Pa: 1 Pa +1000 to +10 000 Pa: 10 Pa	-10 000 to -1000 Pa: 1 Pa -1000 to -100 Pa: 0.1 Pa -100 to +100 Pa: 0.01 Pa +100 to +1000 Pa: 0.1 Pa +1000 to +10 000 Pa: 1 Pa	Manual (via keypad)	

⁽¹⁾All the accuracies indicated in this technical datasheet were stated in laboratory conditions, and can be guaranteed for measurements carried out in the same conditions, or carried out with calibration compensation.

Technical features

Display	Backlighted graphical LCD Size: 85 x 51 mm Resolution: 240 x 180 pixels
Measuring ports connection	Ribbed connectors Ø 4 x 7 mm tubes
Generation ports connection	Quick-coupling connectors DN2.7
Power supply	100 - 240 Vac ±10% / 50-60 Hz or on battery
Consumption	19 W
Battery life	8 hours
PC interface	USB
Operating temperature	From 0 to +50 °C
Storage temperature	From -10 to +70 °C
Environment	Air, non-aggressive gases, non-corrosive gases
Languages	French, English
Weight	4.5 kg
Conformity	EMC 2014/30/EU; EN 61010-1 directives
Fuse on the phase and on the neutral	Time delay 1 A 250 V

Instrument to connect to earth protection



Kit content

2 x 1 m of silicone tube

1 power supply cable

1 USB cable

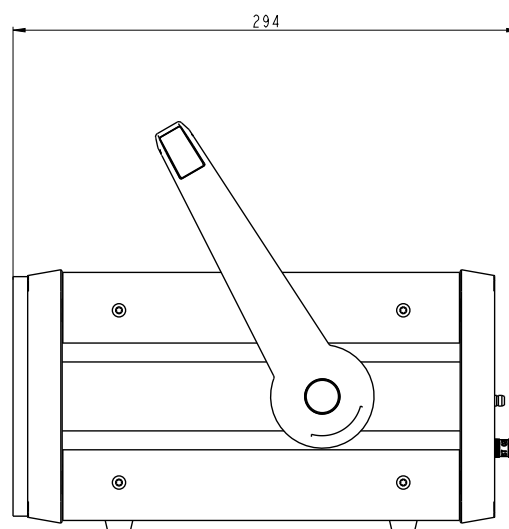
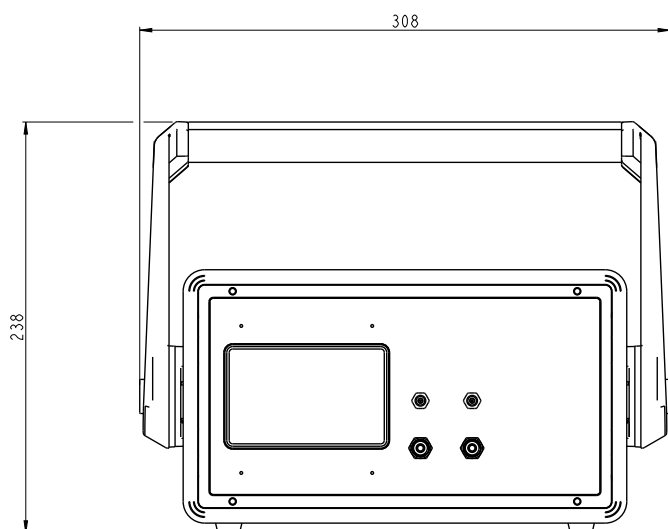
Configuration software

2 quick-coupling DN 2.7

Calibration certificate

User manual

Dimensions (mm)



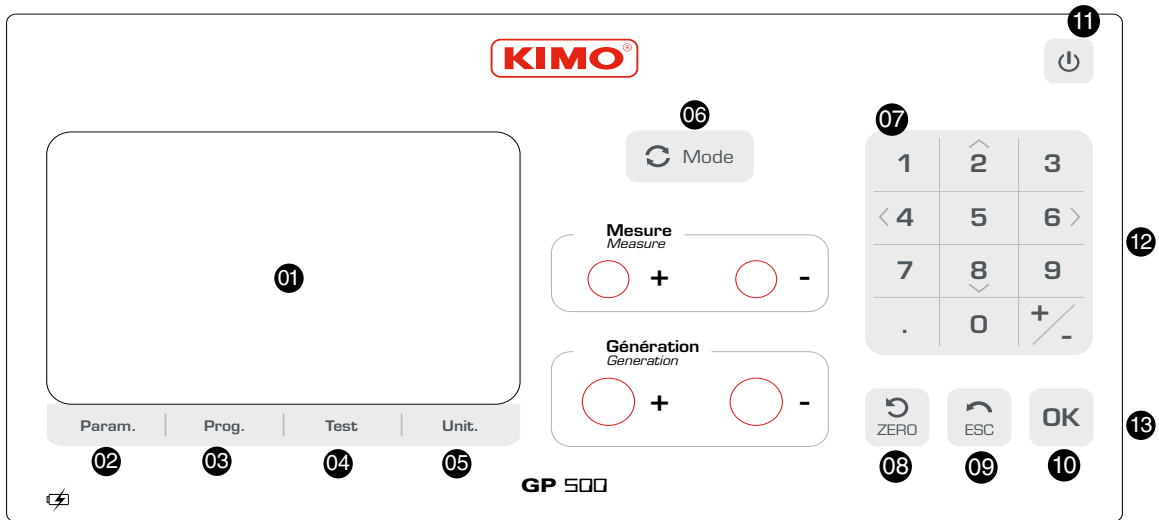
Maintenance:

We carry out calibration, adjustment and maintenance of your devices to guarantee a constant level of quality of your measurements. As part of quality assurance standards, we recommend you to carry a yearly checking.

Precautions for use:

Please always use the device in accordance with its intended use and within parameters described in the technical features in order not to compromise the protection ensured by the device.

User interface



- 01. Screen
- 02. **Param.:** configuration of the instrument
- 03. **Prog.:** configuration of pressure generation programs
- 04. **Test:** leak test
- 05. **Unit.:** units modification
- 06. **Mode:** mode selection : "Measure" or "Generation"
- 07. 12 keys keypad with navigation arrows
- 08. **Zero:** manual autozero
- 09. **Esc:** back
- 10. **OK:** validation of the selection
- 11. On/Off key
- 12. Power supply on the right side
- 13. USB port type B on the right side

Speed and stability

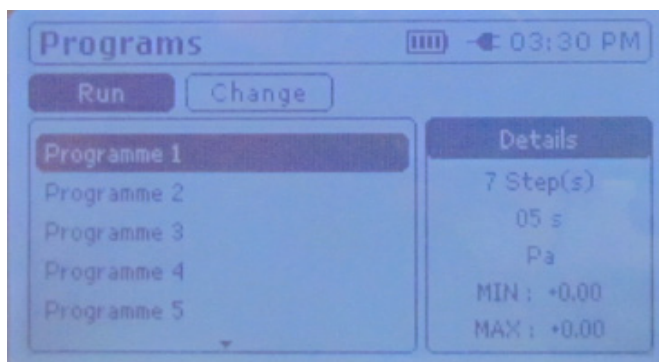
MEASUREMENT

The GP 500 is the ideal instrument for the measurement of a dynamic pressure.

GENERATION

The pressure setpoints rapidly reached thanks to the enslavement of the pneumatic system are of a proven stability.

The GP 500 also offers to configure programs allowing to automate the pressure generation. This easy-to-use function allows to save a precious time for serial controls.



The Program function allows to define the number and the duration of the different stages to reach.

It is possible to save up to 20 different programs with 20 setpoints values (stages) by program.

Air tightness test

The air tightness test allows to test the integrity of an airflow network. With its configurable parameters, the air-tightness test gives clear and fast results of the situation, on-site or in laboratory.

